

SARACEN

Designed to fit **KNOTT AVONRIDE**

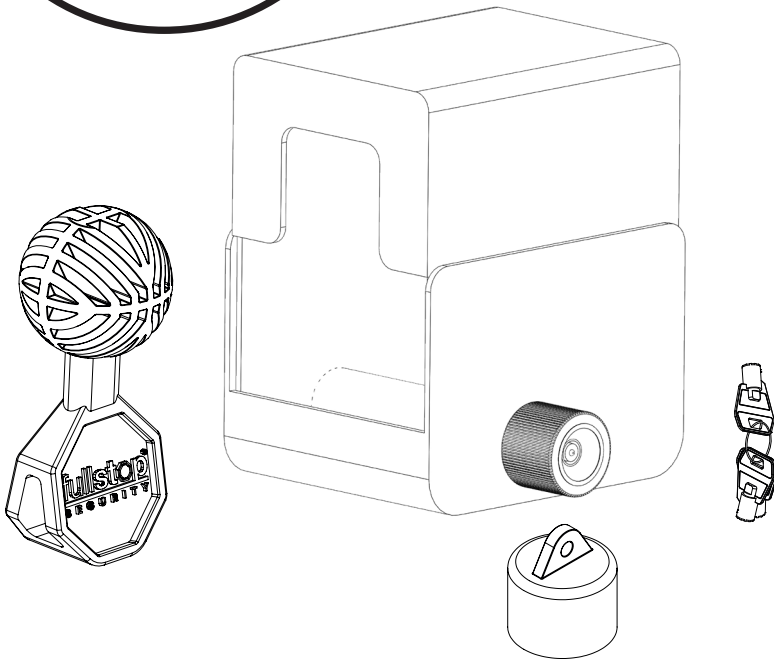
REGISTER NOW TO
ACTIVATE YOUR

5 YEAR
WARRANTY*

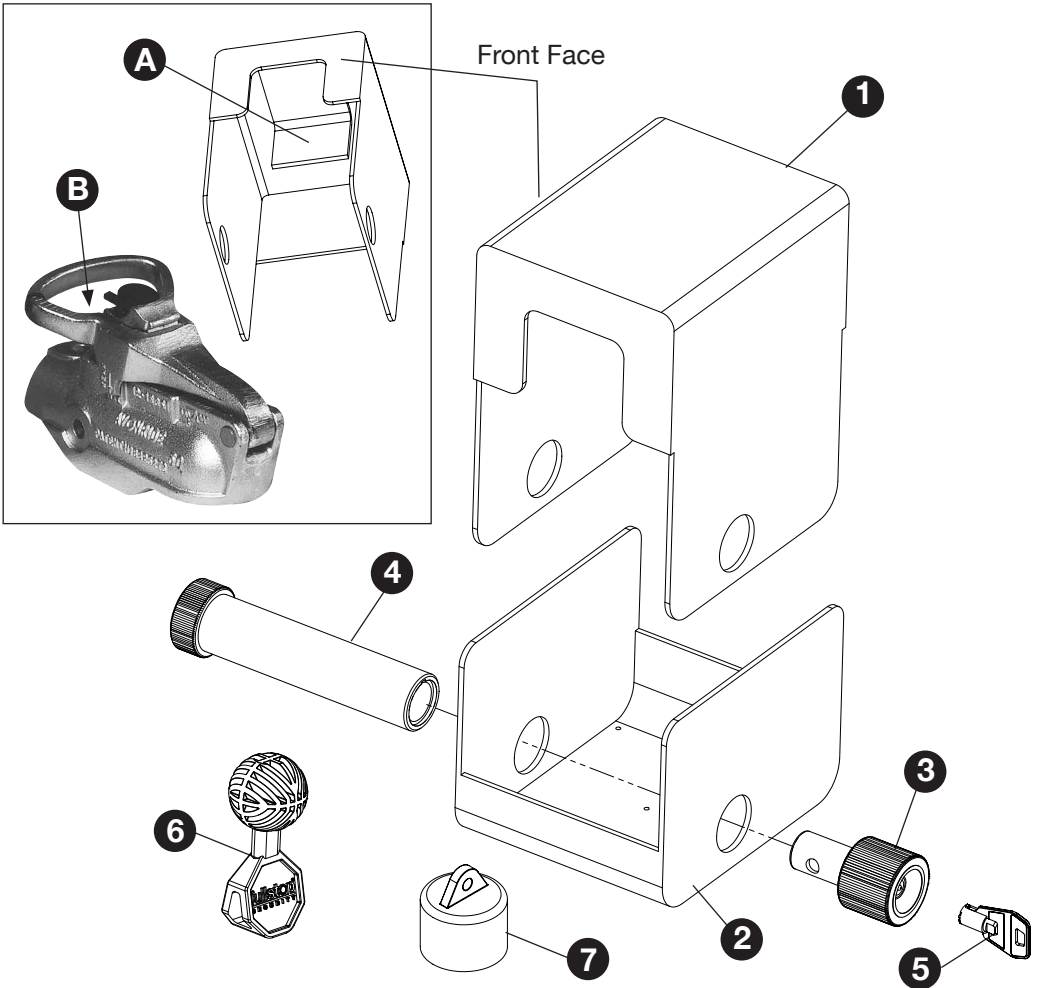
www.purpleline.co.uk
01473 601200

Hitch Lock

PRODUCT CODE: **FHL300**



PARTS IDENTIFICATION



- | | |
|------------------------|------------------|
| 1. Main Body | 5. Key (x3) |
| 2. Base Section | 6. Security Ball |
| 3. Male Lock Portion | 7. Lock Cap |
| 4. Female Lock Portion | |

Please store your keys in a safe place and remember to register within 14 days of purchase, either by returning your fully completed registration card, or online at www.purpleline.co.uk/product-registration



INTRODUCTION

The FullStop® Saracen Knott Avonride Hitch Lock can be fitted when your vehicle is hitched or unhitched, but should never be fitted during transit. It is against the law in the UK to tow whilst using a Hitch Lock.

FITTING WHEN HITCHED

Insert key (5) into Male Lock Portion (3), push and turn 90° clockwise to unlock.

Position the Main Body (1) over the hitch handle ensuring the welded L-plate (A) sits within the loop of the handle (B) and that the Main Body (1) is facing the correct direction (see diagram). Fit the Base Section (2) onto the bottom of the Main Body ensuring the holes line up with each other. Slide the Female Lock Portion (4) through all the holes.

Insert the Male Lock Portion (3) into the Female Lock Portion (4) and turn 90° anti-clockwise to lock.

FITTING WHEN UNHITCHED

Installation of the Saracen Knott Avonride Hitch Lock when fitting onto an unhitched trailer, is identical except that the included Security Ball (6) must be inserted into your coupling to inhibit the trailer being hitched onto a vehicle.

NOTE

It is highly recommended that a secondary security device (such as a wheel clamp) should be used to inhibit theft by some unconventional form of towing. Visit www.purpleline.co.uk for details of other products in the Fullstop® Security range.

MAINTENANCE

Fit the protective Lock Cap (7) to Male Lock Portion (3) to help prevent ingress of dirt or water.

Grease the lock face and ball bearings before first use, with a light oil such as 3-IN-ONE or equivalent.

Thereafter spray any moving parts of the lock body with a light oil such as 3-IN-ONE or equivalent every eight weeks.

fullstop®

S E C U R I T Y

PRODUCT SPECIFICATION

FHL300				
Weight (kg)	Height (mm)	Width (mm)	Depth (mm)	Keys Supplied
4.75kg	190mm	190mm	155mm	3

Please store your keys in a safe place and remember to register your product.

Registration is quick and simple, go to www.purpleline.co.uk/product-registration

Please register within 14 days of purchase. Please retain your original purchase receipt.

Disclaimer

If used properly, your FullStop® product will be an effective deterrent. However, nothing can stop the efforts of the most determined thief, and to this end no liability is accepted for any loss and/or damage caused by any illegal activity including theft or vandalism. Liability also not accepted for any loss and/or damage arising from misuse, unauthorised repair or alteration and failure to follow the user guide directions. No form of consequential loss what so ever will be accepted.



© Copyright 2017. Purple Line Limited, Peninsula Business Centre, Wherstead, Suffolk, IP9 2BB, UK

www.purpleline.co.uk
01473 601200

Photographs for illustration purposes only. Actual product may differ slightly.
Purple Line Limited reserve the right to alter product specification without prior notice.